

User's Manual

CONDENSER GOOSENECK MICROPHONE

MODEL: QRM-01C



Description

The QRM-01C condenser gooseneck microphone delivers high fidelity performance for a variety of applications. Ideal for restaurants, retail stores, medical/dental offices, schools, factories, warehouses, boardrooms, educational and more, the QRM-01C offers a wide dynamic range and smooth frequency response for high-quality audio reproduction. Features includes push-to-talk switch, removable windscreen, battery operation, and red indicator light to show when the mic is active.

Please read the following instructions carefully before using this microphone

Attention

Feedback can occur when the sound entering a microphone is reproduced by a loudspeaker, picked up by the microphone, and re-amplified again and again. This can happen if the microphone is positioned too close from the loudspeakers, or if the volume of the system is set too high, please keep a safe distance between the loudspeakers and the microphone and limit the volume to avoid damage to the microphone or the loudspeakers.

Specifications

Model #	QRM-01C
Microphone Type	Condenser Microphone
Frequency Response	40Hz~16kHz
Sensitivity	-40dB ±2dB
Required Phantom Power	3V DC (battery) or 48V Phantom
Output Impedance	75Ω
Required Batteries (not included)	2x AAA



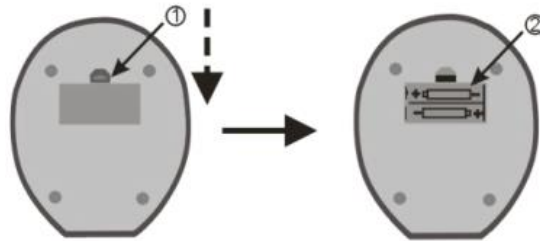
21000 Transcanadienne
 Baie d’Urfé, Québec, H9X 4B7
 Phone: 1-877-374-5266
 Fax: 888-918-2244

www.eriksoncommercial.com

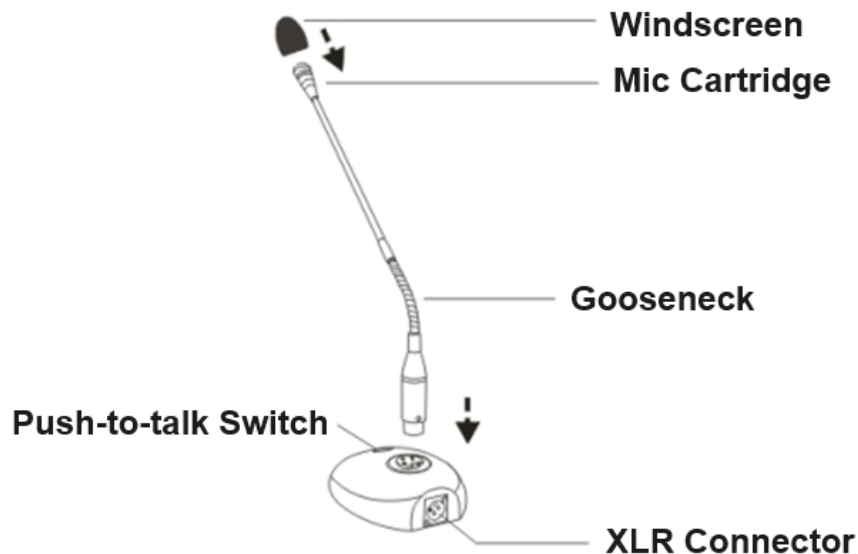
Copyright © 2024 Exertis | Jam. All rights reserved

Operating Instructions

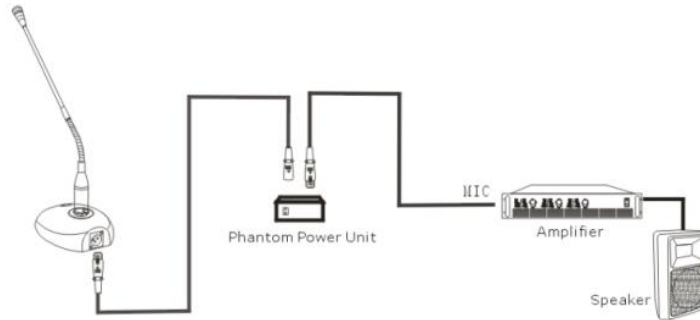
- 1- If battery operation is needed, Open battery compartment door on the bottom of the base by pressing the tab down, insert 2 AAA batteries making sure to respect the correct polarity (+/-).



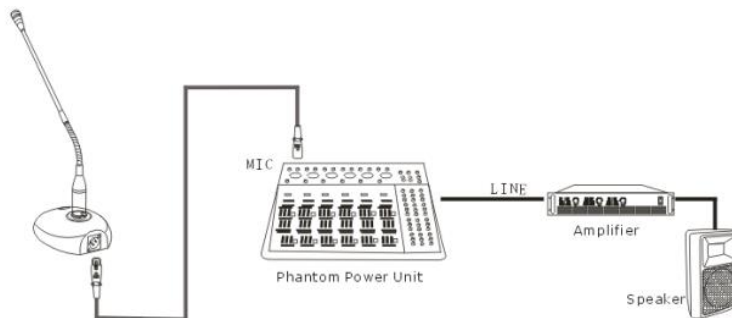
- 2- Insert Gooseneck into the microphone base XLR connector.
- 3- Install the windscreen on the microphone.



4- When using the microphone with an external phantom power supply unit, hook-up as follow:



5- When using the microphone with a mixer or mixer-amplifier with phantom power supply, hook-up as follow:



6- When no phantom power is available, please insert batteries in the base and hook-up as follow:

